

# LED Downlight Triton

Module Downlight

# DATASHEET

## Product Codes

249422+249424

## Physical

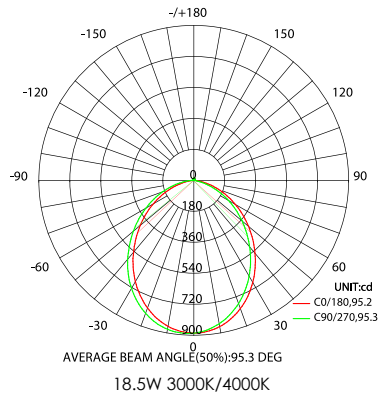
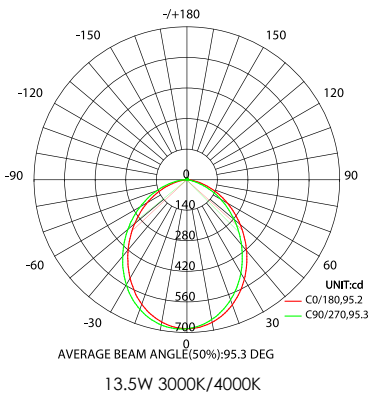
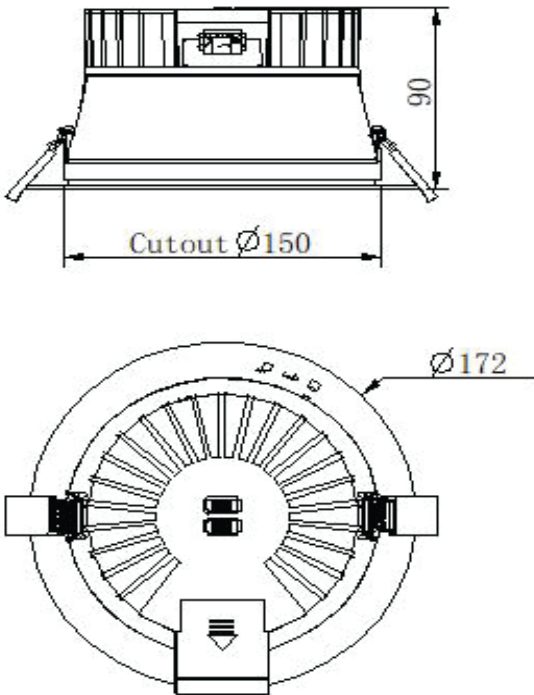
Surface Finish	Powder Coated
Physical Colour	White
Colour Code	W106
Dimensions	Ø172x90mm
Cutout	Ø150mm
Weight	450g
Rotate/Tilt Angle	N/A
Material	PC,PC+ABS,PA, ADC12
IP Rating	54
IK Rating	03
IC Rating	N/A
Luminaire Class	II
Cable Length	N/A
Lens Type	Diffuser
Lens Material	PC



## Operational

Model				
Total Power	13.5W	13.5W	18.5W	18.5W
Lamp Power	12.5W	12.5W	17.2W	17.2W
Colour Temp.	3000K	4000K	3000K	4000K
Lumen Output	1700lm	1700lm	2300lm	2300lm
Efficacy	120lm/W	120lm/W	120lm/W	120lm/W
SDCM	≤6	≤6	≤6	≤6
CRI	Ra80			
Beam Angle	100°			
PF	0.9			
Flicker-free	YES			
Operating Temp.	-30 ... +40°C			
Lifetime	50,000hrs L80B10 @Ta = 25°C			
Circuit Breaker:				
B16	112PCS			
C16	123PCS			

## Product Dimensions



# LED Downlight Triton

Module Downlight

# DATASHEET

## Product Codes

249422+249426

## Physical

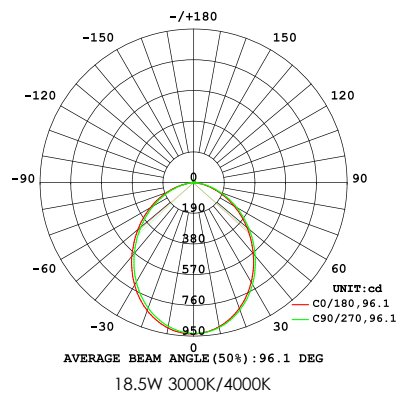
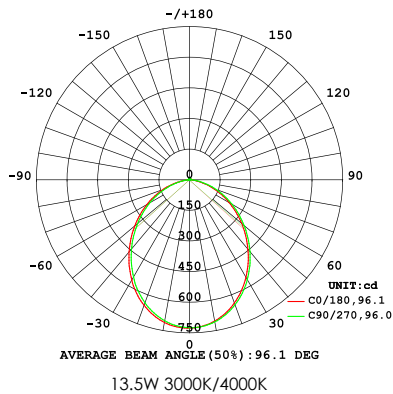
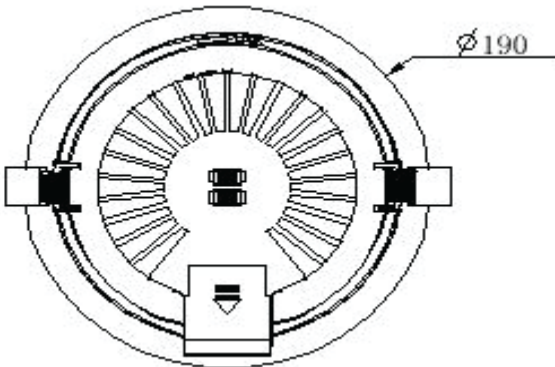
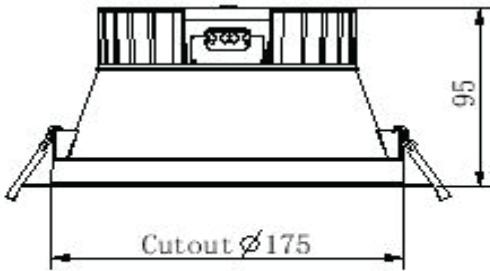
Surface Finish	Powder Coated
Physical Colour	White
Colour Code	W106
Dimensions	Ø190x95mm
Cutout	Ø175mm
Weight	530g
Rotate/Tilt Angle	N/A
Material	PC,PC+ABS,PA, ADC12
IP Rating	54
IK Rating	03
IC Rating	N/A
Luminaire Class	II
Cable Length	N/A
Lens Type	Diffuser
Lens Material	PC



## Operational

Model				
Total Power	13.5W	13.5W	18.5W	18.5W
Lamp Power	12.5W	12.5W	17.2W	17.2W
Colour Temp.	3000K	4000K	3000K	4000K
Lumen Output	1700lm	1700lm	2300lm	2300lm
Efficacy	120lm/W	120lm/W	120lm/W	120lm/W
SDCM	≤6	≤6	≤6	≤6
CRI	Ra80			
Beam Angle	100°			
PF	0.9			
Flicker-free	YES			
Operating Temp.	-30 ... +40°C			
Lifetime	50,000hrs L80B10 @Ta = 25°C			
Circuit Breaker:				
B16	112PCS			
C16	123PCS			

## Product Dimensions



**LED Downlight Triton** Module Downlight

**DATASHEET**

Product Codes

249422+249428

Physical

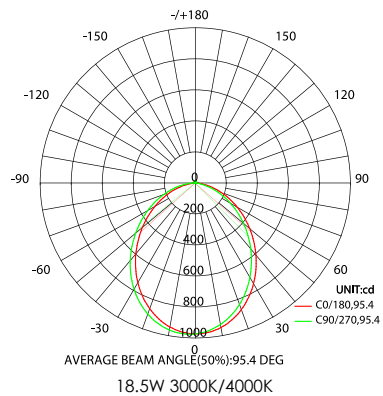
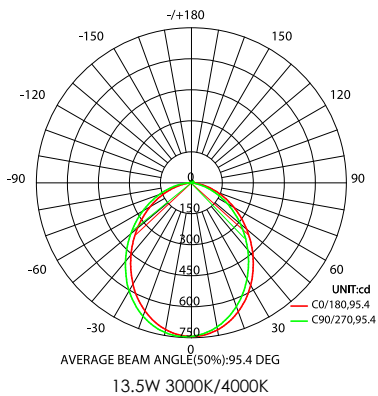
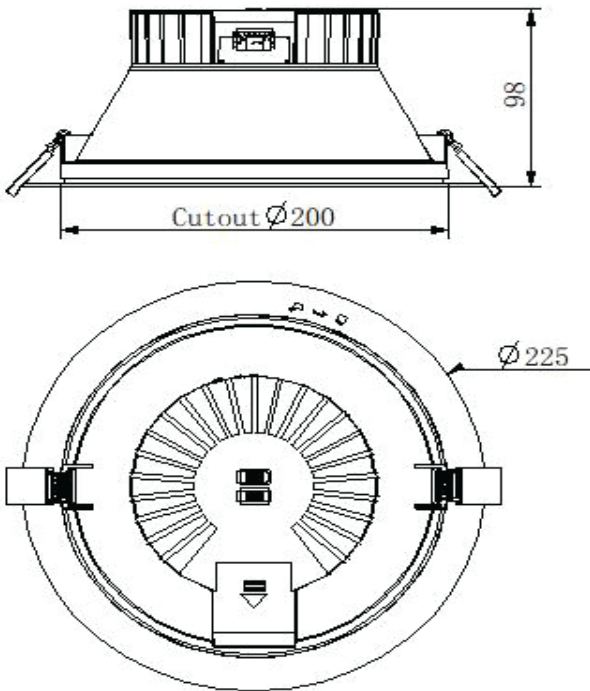
Surface Finish	Powder Coated
Physical Colour	White
Colour Code	W106
Dimensions	Ø225x98mm
Cutout	Ø200mm
Weight	550g
Rotate/Tilt Angle	N/A
Material	PC,PC+ABS,PA, ADC12
IP Rating	54
IK Rating	03
IC Rating	N/A
Luminaire Class	II
Cable Length	N/A
Lens Type	Diffuser
Lens Material	PC



Operational

Model				
Total Power	13.5W	13.5W	18.5W	18.5W
Lamp Power	12.5W	12.5W	17.2W	17.2W
Colour Temp.	3000K	4000K	3000K	4000K
Lumen Output	1700lm	1700lm	2300lm	2300lm
Efficacy	120lm/W	120lm/W	120lm/W	120lm/W
SDCM	≤6	≤6	≤6	≤6
CRI	Ra80			
Beam Angle	100°			
PF	0.9			
Flicker-free	YES			
Operating Temp.	-30 ... +40°C			
Lifetime	50,000hrs L80B10 @Ta = 25°C			
Circuit Breaker:				
B16	112PCS			
C16	123PCS			

Product Dimensions



<b>LED Downlight Triton</b>	Module Downlight	<b>DATASHEET</b>
-----------------------------	------------------	------------------

**Product Codes**

249422+249430

**Physical**

Surface Finish	Powder Coated
Physical Colour	White
Colour Code	W106
Dimensions	Ø250x98mm
Cutout	Ø225mm
Weight	640g
Rotate/Tilt Angle	N/A
Material	PC,PC+ABS,PA, ADC12
IP Rating	54
IK Rating	03
IC Rating	N/A
Luminaire Class	II
Cable Length	N/A
Lens Type	Diffuser
Lens Material	PC



**Operational**

Model				
Total Power	13.5W	13.5W	18.5W	18.5W
Lamp Power	12.5W	12.5W	17.2W	17.2W
Colour Temp.	3000K	4000K	3000K	4000K
Lumen Output	1700lm	1700lm	2300lm	2300lm
Efficacy	120lm/W	120lm/W	120lm/W	120lm/W
SDCM	≤6	≤6	≤6	≤6
CRI	Ra80			
Beam Angle	100°			
PF	0.9			
Flicker-free	YES			
Operating Temp.	-30 ... +40°C			
Lifetime	50,000hrs L80B10 @Ta = 25°C			
Circuit Breaker:				
B16	112PCS			
C16	123PCS			

**Product Dimensions**

